



LEAPTON
SOLAR

Monofacial

Bifacial

LP182*182-M-60-NH

N-Type TOPCon

Rated Power 460-480W



N-Type MBB Cell
New circuit design N-type cells, can increase the output power of 10W~20W



Low Light Features
Higher performance under low light environment.



Higher Output Power
Module adopts 120 pcs of 182*182mm half cells, the maximum power can reach 480W.



PID Protection
Ensure the attenuation probability caused by PID phenomenon is minimized.

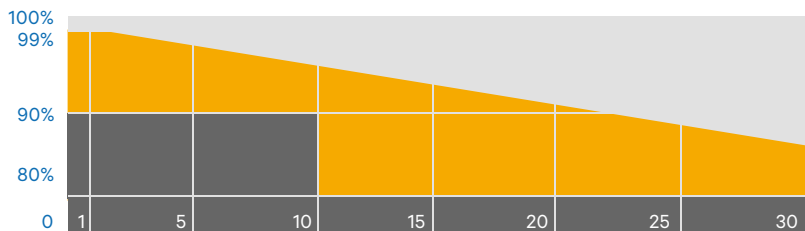


Harsh Environmental Adaptability
Strict salt spray and ammonia corrosion test by TUV Nord.



Load Capacity
Mechanical load tests including wind load 2400 Pa and snow load 5400 Pa done by TUV Nord.

■ Leapton N-Type Linear Power Warranty ■ Industry Warranty
0.4% Annual Degradation over 30 years



Headquarter : Leapton Energy Co., Ltd.

📍 Tosei Bldg. 6F, 1-2-1 Aioi-cho, Chuo-ku Kobe-shi, Hyogo, 650-0025, Japan

☎ +81-78-382-3182

🌐 www.leaptonenergy.jp

Manufacturer : Leapton Solar (Changshu) Co., Ltd.

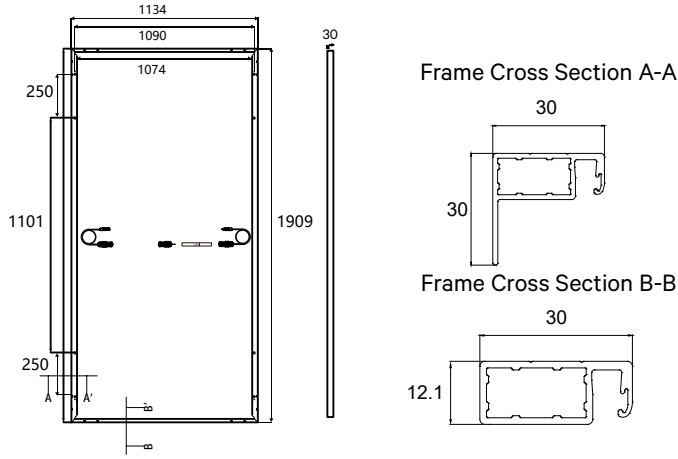
📍 No.9, Sunshine Avenue, Changshu City, Jiangsu, China

☎ +86-512-88800068

✉ info@leaptonenergy.com

🌐 www.leaptonpv.com

MECHANICAL DIAGRAMS



SPECIFICATIONS

| | |
|------------------------|--|
| Weight | 23kg |
| Dimensions | 1909mm*1134mm*30mm |
| Cell Dimensions | 182*182mm |
| Cell Amount | 60*2 pcs |
| Maximum System Voltage | 1500V |
| Junction Box | IP68 |
| Front glass | 3.2mm, Anti-Reflection Coating, High Transmission, Low Iron, Tempered Glass |
| Frame | Aluminum Alloy |
| Cable | 4mm ² , N 1200mm/P 1200mm for Horizontal installation 4mm ² , N 300mm/P 300mm for Vertical installation |
| Connector | MC4 compatible |

ELECTRICAL PARAMETERS AT STC

| | | | | | |
|-----------------------|--------|--------|--------|--------|--------|
| Power | 460W | 465W | 470W | 475W | 480W |
| Open Circuit Voltage | 42.30V | 42.45V | 42.60V | 42.75V | 42.90V |
| Short Circuit Current | 13.81A | 13.90A | 13.97A | 14.04A | 14.12A |
| Maximum Power Voltage | 34.72V | 34.89V | 35.03V | 35.19V | 35.32V |
| Maximum Power Current | 13.25A | 13.33A | 13.42A | 13.50A | 13.59A |
| Module Efficiency | 21.25% | 21.48% | 21.71% | 21.94% | 22.17% |

* Under Standard Test Conditions (STC) of irradiance of 1000 W/m², spectrum AM 1.5 and cell temperature of 25°C.

ELECTRICAL PARAMETERS AT NMOT

| | | | | | |
|-----------------------|--------|--------|--------|--------|--------|
| Power | 346W | 350W | 354W | 358W | 361W |
| Open Circuit Voltage | 40.15V | 40.30V | 40.45V | 40.60V | 40.75V |
| Short Circuit Current | 11.14A | 11.21A | 11.27A | 11.33A | 11.36A |
| Maximum Power Voltage | 32.37V | 32.53V | 32.66V | 32.82V | 32.97V |
| Maximum Power Current | 10.69A | 10.76A | 10.84A | 10.91A | 10.95A |

* Under Nominal Module Operating Temperature (NMOT), irradiance of 800 W/m², spectrum AM 1.5, ambient temperature 20°C, wind speed 1 m/s.

TEMPERATURE CHARACTERISTICS

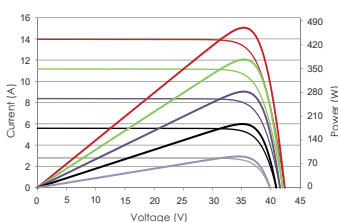
| | | | |
|-------------------------|-----------|--------------------------|------------|
| NMOT | 41±3°C | Temp Coefficient of ISC | +0.046%/°C |
| Temp Coefficient of VOC | -0.25%/°C | Temp Coefficient of Pmax | -0.30%/°C |

PACKING CONFIGURATION

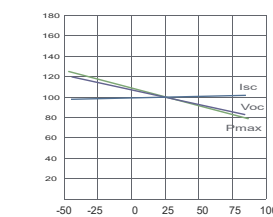
| | | | |
|---------------------|---|----------------------|------------|
| Modules/Pallet | 36 Pieces | Modules/40'Container | 864 Pieces |
| Packing Description | 24 Pallets, Total=(36+36)x12=864 Pieces | | |

CHARACTERISTICS

LP182*182-M-60-NH-480W



LP182*182-M-60-NH-480W



MAXIMUM RATING

| | |
|-----------------------|---------------|
| Output Tolerance | 0~+5W |
| Operating Temperature | -40°C~+85°C |
| Wind Load/Snow Load | 2400pa/5400pa |
| Fuse Current | 25A |



Headquarter : Lepton Energy Co., Ltd.

☑ Tosei Bldg. 6F, 1-2-1 Aioi-cho, Chuo-ku Kobe-shi, Hyogo, 650-0025, Japan

☎ +81-78-382-3182

🌐 www.leptonenergy.jp

Manufacturer : Lepton Solar (Changshu) Co., Ltd.

☑ No.9, Sunshine Avenue, Changshu City, Jiangsu, China

☎ +86-512-88800068

✉ info@leptonenergy.com

🌐 www.leptonpv.com